



# Display Kit Setup Guide



Introduction .....	3
What's In the Display Kit? .....	4
How to Use the Display Kit .....	5
Hands-On Learning Activities .....	6-10
Set-Up Instructions .....	11-12

## The Need

Fairs and events provide incredible opportunities to connect your community to agriculture. But building a professional agricultural literacy display each year can be daunting! That's why we developed the My American Farm Display Kit! This kit provides you all of the pieces you'll need to set up a professional, interactive agricultural literacy display. To top it off - it is easy to store and transport!

## The Concept

The Display Kit was designed to engage Pre-K through adult learners.

1. Learners are drawn to the life size banners.
2. They grab a Pick-Up Card near the banner that fits their child's age.
3. Each number on the Pick-Up Card corresponds to a number on the banner. The color corresponds to their age group!
4. Learners read the challenge on their Pick-Up Card, and look for the corresponding number on the banner.
5. Learners solve the challenge and write their answer on the Pick-Up Card.
6. Learners turn in the Pick-Up Card or keep it.
7. Learners engage in fun, hands-on activities set up near the banners.



## Logistics

We have created all of the resources for the Display Kit so that you can work with a local printer. If easier, you can also order the professional banners through our selected vendor.

### The Display Banners

There are four main banners. Each banner is 180”W x 89”H (15’W x 7.4’H).

Download the graphics on MyAmericanFarm.org or click the ordering button on the My American Farm Display Kit home page to order directly through our selected vendor.

### The Welcome Banner

Use this banner to welcome guests to your learning area.

There is one welcome banner. This banner is 11”W x 7”H.

Download the graphics or click the ordering button on the My American Farm Display Kit home page to order directly.

### The Pick-Up Cards

Pick-Up Cards are split by age group to offer interactive questions for each banner. There are three Pick-Up Cards specific to each banner:

- 3-6 years old
- 7-9 years old
- 10-11 years old

Visitors in your learning area will pick up a card when they visit each banner. You may wish to print copies visitors can take with them, or you may wish to print laminated copies that can be reused with dry erase pens.

### The Hands-On Learning Activities

Learning becomes more engaging with hands-on activities. Choose from several activities outlined for each banner to add a new dimension of engagement to your learning area.

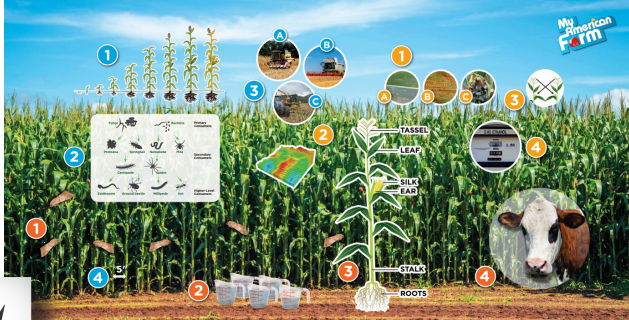
### The Platform

The Display Kits are part of the My American Farm family. Access more than 20 educational online games, more than 100 free lessons and activities, videos, comics and more at [www.MyAmericanFarm.org](http://www.MyAmericanFarm.org).

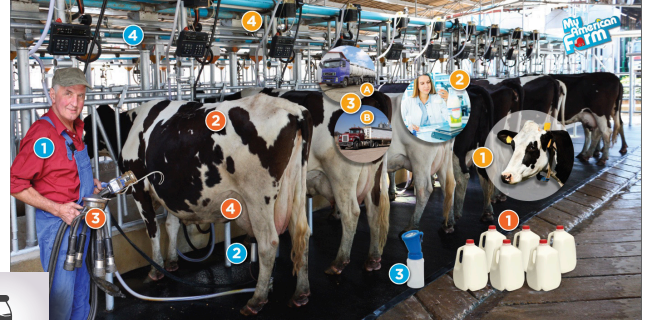
# WHAT'S INCLUDED IN THIS KIT?



## Display Banners



Corn Field



Dairy Parlor



Farmer's Market



Machine Shed

## Welcome Banner



## Pick-Up Cards

**LITTLE FARMERS**  
3-6 YEARS OLD

Cornfield  
**My American Farm**

- 1 Some pests can cause a lot of damage to corn. The most common the European corn borer. This is the female moth. Scout the field and see how many total moths you can find. \_\_\_\_\_
- 2 When corn plants are this big, they need a lot of water to have big, full ears of corn. This field would need about 1/3 of an inch of rain every week. How many cups of water is that per corn plant? Count the cups! \_\_\_\_\_
- 3 Draw and label the corn plant!
- 4 Almost half of all corn grown in U.S. is feed to livestock for feed. Which type of animals consume most of the corn? \_\_\_\_\_

Answers: 1) 6 2) 4.5 cups 3) See drawing 4) Cattle



## Preparing for the Event

- Review the set up instructions for the banners and welcome sign on pages 11-12 of this guide.
- Download and print enough Activity Cards for those visiting your event.
- Line up writing utensils for learners to complete the Pick-Up Activity Cards.
- Review the Hands-On Learning Activities on pages 6-10 of this guide to determine which to include at your event.
- Gather necessary supplies.
- Print instructions for activities.

## At the Event

- Set up your display banner and welcome sign.
- Determine the best place to house the Pick-Up Activity Cards and writing utensils. We recommend using open top folders with index cards on the front labeling each age group's Pick-Up Activity Cards.
- Set up hands-on activities.

## Intentional Engagement

Strategies for using the My American Farm Display Kit in Your Community

Whether you work in agriculture, teach, are engaged in planning fairs and events, or simply have a passion for connecting young people to where their food comes from – the My American Farm Display Kit is a great way to create a professional, engaging learning area. Check out the strategies below to get the ball rolling in your community.

- Work with a local company to sponsor a set of display banners that can be donated to a local school district. Encourage the school to set up a mobile museum with the banners in a central learning area. Schools can also display one banner at a time, and use the suggested activities to create unique engagements throughout the year.
- Donate a set of banners to a local fair, event or community center.
- Donate a display kit to the State Fair or major regional fair, and set up a system for local county fairs to use the displays on loan.
- Connect with a local school to facilitate an agriculture career day. Bring a banner and people who work in agriculture to talk about their careers.
- Sponsor a community or school visit day at your place of work. Set up the banners to provide an engaging learning experience.
- Sponsor a breakfast or lunch with a farmer. Set up the display banners to engage guests.
- Set up a display on your farm during student or community farm tours.

Practical Modification! The Display Kit has been designed for a free-standing display system. If a hanging banner system works better for your situation, download the graphics and print a hanging banner that can be secured on a wall, barn, or other structure.



## Corn Field Banner Activities

### 1. Activity Name: Water a Corn Plant

#### Supplies:

- Liquid measuring cups
- Buckets filled with water
- Empty buckets

#### Set Up:

- Fill buckets with water and place empty buckets next to them.

#### Experience:

- Use measuring cups to measure the amount of water a corn plant needs (4.5 cups) into the empty bucket.

### 2. Activity Name: Take a Guess!

#### Supplies:

- Ear of corn
- Card that says, "How many kernels do you think are on this ear of corn?"
- Folded card with the answer to the number of kernels on the ear written inside

#### Set Up:

- Place ear of corn and cards out next to each other.

#### Experience:

- First, show the attendee what a kernel is on an ear of corn. Then ask attendees how many kernels they think are on each ear of corn. Have them open the card after they have guessed to find the correct answer.

### 3. Activity Name: Corn Husk Dolls

#### Supplies:

- Corn husks
- Printed corn husk doll instructions (Found at: <http://www.teachersfirst.com/lessons/nativecrafts/cornhusk.cfm>)
- Yarn
- Scissors

#### Set Up:

- Set out corn husks, instructions, and cut up pieces of yarn.

#### Experience:

- Have attendees use the materials provided and follow the instructions to create a corn husk doll.

### 4. Activity Name: What Products Have Corn in Them?

#### Supplies:

- Toothpaste
- Soda
- Gum
- Sign that says, "Which of these products have corn in them?"

Set Up:

- Place each of these items on the table with the sign.

Experience:

- Ask attendees which of these everyday items are made from corn. (Answer is all of them)

## 5. Activity Name: How Do You Measure Up?

Supplies:

- Corn stalk
- Measuring tape

Set Up:

- Prop up corn stalk and have a measuring tape placed next to the corn stalk.

Experience:

- Have one attendee stand next to corn stalk, while the other attendee measures them with tape measure. Read tape measure to determine height.



## Dairy Parlor Banner Activities

### 1. Activity Name: How Much Does a Gallon Weigh?

Supplies:

- Slips of paper
- Pens/pencils
- Gallon milk jugs filled with water
- Scale

Set Up:

- Set out milk jugs and scale.

Experience:

- Have attendees write down their guess for how much a gallon of milk weighs. Weigh gallon jugs using a scale.

### 2. Activity Name: Milk the Cow!

Supplies:

- Latex gloves
- Water to put in latex gloves
- Pin to slightly pierce the fingers of the latex glove

Set Up:

- Fill latex glove with water. Put a small hole in the bottom of two of the fingers.

Experience:

- Have volunteers hold the latex glove at eye level for attendee. If there are multiple attendees, then you could have two attendees “milking the cow” at once. Encourage attendees to race to empty their glove.

### 3. Activity Name: Baaaa or Moooo?

#### Supplies:

- Two different sized containers (i.e., one larger representing the amount of milk a cow can produce in one day, the other smaller representing the amount of milk a goat can produce in one day)
- Laminated cards (one with a picture of dairy goat, the other with a picture of a dairy cow)

#### Set Up:

- Set out containers and cards.

#### Experience:

- Have attendees match which animal produces that much milk based on the size of the container.

### 4. Activity Name: Do you have a Favorite Dairy Product?

#### Supplies:

- Four index cards with a different number (1, 2, 3, and 4) written on each
- Emptied dairy product containers with labels still on them including ice cream, sour cream, cottage cheese, butter, etc.

#### Set Up:

- Set out empty containers and index cards with numbers on them.

#### Experience:

- Have attendees rank each of the empty dairy product containers from their favorite item to least favorite, with "1" being their favorite and "4" being their least favorite.



## Farmers' Market Banner Activities

### 1. Activity Name: Food Match

#### Supplies:

- Plastic play food
- Four baskets or buckets with the following labels: Fruit, Vegetable, Dairy, Protein

#### Set Up:

- Spread out plastic food and set up labeled basket or buckets.

#### Experience:

- Have attendees match the food product to its correct category.

### 2. Activity Name: Draw MyPlate

#### Supplies:

- Paper plates to write on





- Pens or colored markers
- Sign or board with the MyPlate diagram printed on it

Set Up:

- Set out plates and markers.

Experience:

- Have attendees draw the MyPlate diagram on their paper plate and write or draw in some of their favorite foods in each category.

### 3. Activity Name: Take One and Thank a Farmer!

Supplies:

- Basket
- Local produce to fill basket
- Sign that has farmer's or grower's story on it

Set Up:

- Place local produce in basket and set out.

Experience:

- Have attendees take one piece of produce to snack on and read the story about the local farmer or grower that produced it.

### 4. Activity Name: Purchasing Produce

Supplies:

- Play food with price tags matching local prices
- Basket
- Ten dollars in play money (e.g., five \$1 dollar bills and one \$5 dollar bill)

Set Up:

- Spread out play food and set out basket. Have money sitting next to basket.

Experience:

- Have attendees take the play money and see how much food they can buy with \$10. Have attendees pay for the items of food one at a time and place the item in their basket as they purchase it.

### 5. Activity Name: What's Your Favorite Recipe?

Supplies:

- Poster board with multiple recipes on it
- Index cards
- Pens

Set Up:

- Set out poster board, index cards, and pens.

Experience:

- Have attendees read the poster with recipes on it and have them write down their favorite one. Encourage the attendees to share these recipes on social media, take them home, and cook them for their families.



## Machine Shed Banner Activities

### 1. Activity Name: Tape Measure Time

Supplies:

- Strips of paper of different lengths
- Tape measures

Set Up:

- Set out paper strips and tape measures.

Experience:

- Have attendees measure the different lengths of paper strips using the tape measures.

### 2. Activity Name: Which Wrench Fits?

Supplies:

- Bolts with different sized heads
- Wrenches that correlate with the bolt sizes

Set Up:

- Set out bolts and wrenches

Experience:

- Have attendees match the different bolts to the correct wrench size.

### 3. Activity Name: Planting is Fun!

Supplies:

- Shallow box or tub
- Sand
- Wide-tooth comb

Set Up:

- Set out the box or tub filled with sand. Place the wide-tooth comb on the sand.

Experience:

- Have attendees take the wide-tooth comb and run it over the sand to imitate the planting or tilling of a field.

### 4. Activity Name: Ready, Set, Check

Supplies:

- Oil or gas can
- Tire pressure gauge
- Window cleaning spray
- Hydraulic fluid
- Cards with definitions of each item

Set Up:

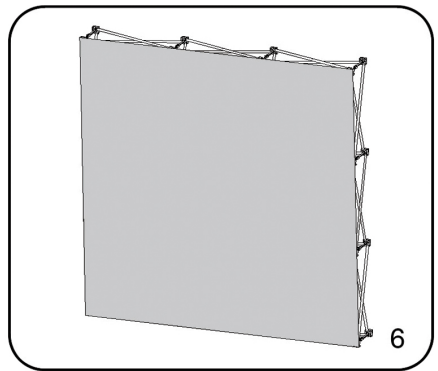
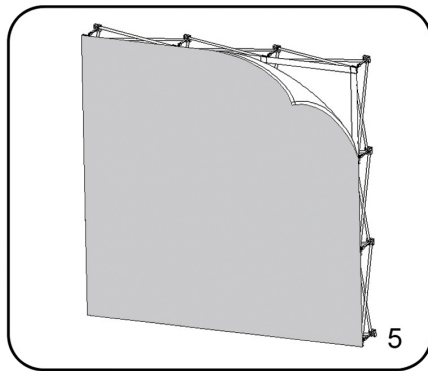
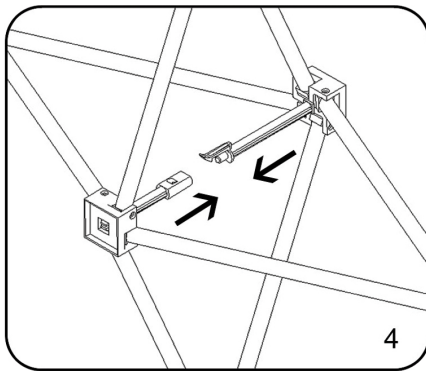
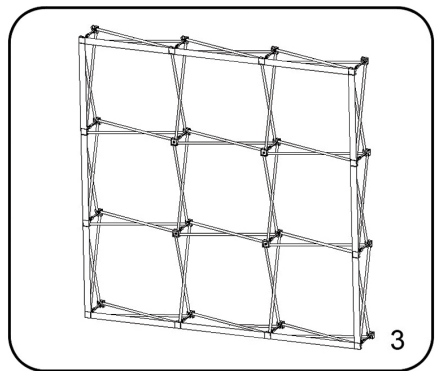
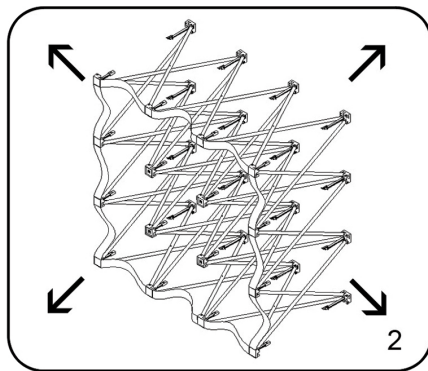
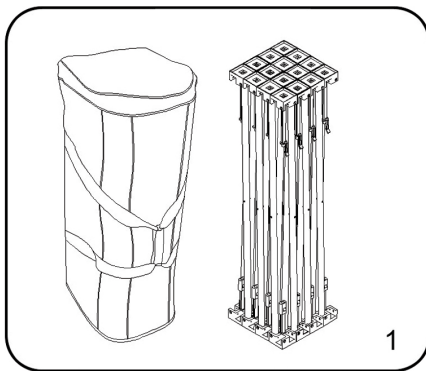
- Have each of the items set out with the shuffled cards in a pile.

Experience:

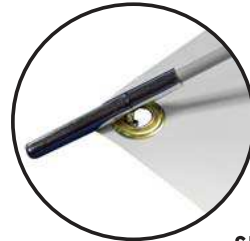
- Have attendees match up the correct maintenance item with the proper definition.

Did you order through the My American Farm Display Kit ordering page? If so, check out the setup directions below.

## RPL SET UP INSTRUCTIONS

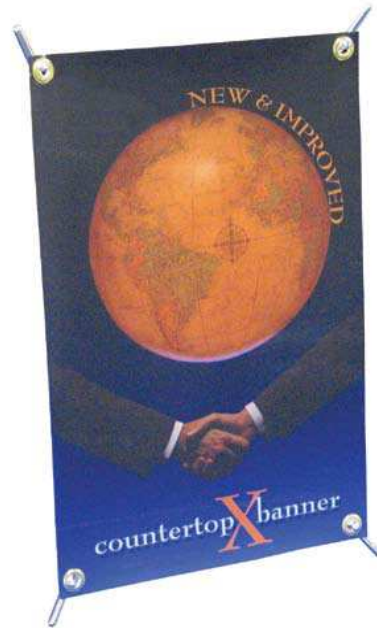


## CounterTop X Banner



### Step 1

Lay the display face down. Unfold The X frame and place the end hooks into the grommets on the display. Fold support leg down so the banner leans at the angle that is desired.



This resource is brought to you by:



AMERICAN FARM BUREAU  
FOUNDATION FOR AGRICULTURE

TITLE SPONSOR



PIONEER